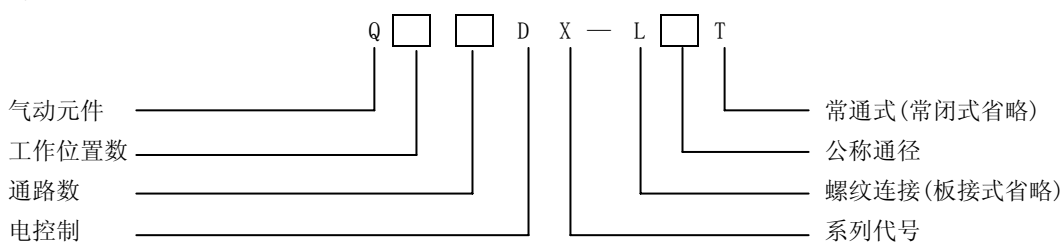




## 一、型号



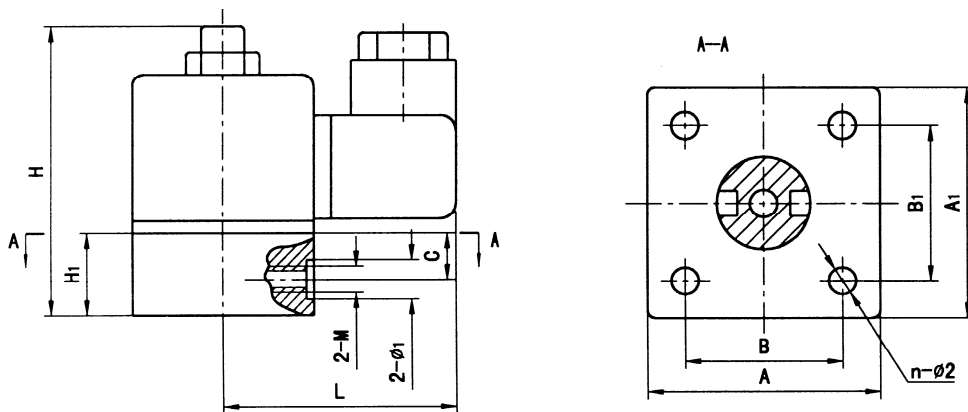
## 二、特点

电磁先导阀主要由电磁线圈和阀体部分组成，并配有三芯插式连接器。阀体部分分板接和管接二种形式，方便安装。

## 三、主要技术参数

|                            |                                |                                 |                                 |
|----------------------------|--------------------------------|---------------------------------|---------------------------------|
| 公称口径 (mm)                  | 1                              | 1.2                             | 2                               |
| 工作压力范围 (MPa)               | 0 ~ 0.8                        |                                 |                                 |
| 使用温度范围 (°C)                | - 10 ~ + 55 ( 但在不冻结条件下 )       |                                 |                                 |
| 有效截面积 (mm <sup>2</sup> )   | 0.3                            | 0.5                             | 1.6                             |
| 工作电压                       | AC: 220V 50Hz DC: 24V          |                                 |                                 |
| 允许电压波动 (%)                 | - 15 ~ +10                     |                                 |                                 |
| 换向时间 (S)                   | ≤0.03                          |                                 |                                 |
| 绝缘电阻 (MΩ)                  | ≥1.5                           |                                 |                                 |
| 泄漏量 (cm <sup>3</sup> /min) | ≤50                            |                                 |                                 |
| 温升 (°C)                    | ≤85                            |                                 |                                 |
| 耐久性 (万次)                   | ≥200                           |                                 |                                 |
| 消耗功率                       | AC:220V 3.7/2.5VA<br>DC:24V 2W | AC:220V 10/7.5VA<br>DC:24V 6.8W | AC:220V 24/15VA<br>DC:24V 10.6W |

## 四、外形及安装尺寸





单位: mm

| 型号          | A  | A <sub>1</sub> | B  | B <sub>1</sub> | H   | H <sub>1</sub> | L  | C    | 2-Φ1 | n-Φ2   | 2-M   |
|-------------|----|----------------|----|----------------|-----|----------------|----|------|------|--------|-------|
| Q23DX-1     | 24 | 17             | 19 | 11.5           | 43  | 12             | 39 |      |      | 2-Φ3.4 |       |
| Q23DX-L1    |    |                |    |                | 48  | 17             |    | 10.5 | Φ8.5 |        | M5    |
| Q23DX-1T    | 24 | 17             | 19 | 11.5           | 43  | 12             | 39 |      |      | 2-Φ3.4 |       |
| Q23DX-L1T   |    |                |    |                | 48  | 17             |    | 10.5 | Φ8.5 |        | M5    |
| Q22DX-1     | 24 | 17             | 19 | 11.5           | 45  | 12             | 39 |      |      | 2-Φ3.4 |       |
| Q22DX-L1    |    |                |    |                | 50  | 17             |    | 10.5 | Φ8.5 |        | M5    |
| Q23DX-1.2   | 28 | 22             | 22 | 16             | 51  | 14             | 47 |      |      | 2-Φ4.5 |       |
| Q23DX-L1.2  |    |                |    |                | 55  | 18             |    | 12   | Φ8.5 |        | M5    |
| Q23DX-1.2T  | 28 | 22             | 22 | 16             | 51  | 14             | 47 |      |      | 2-Φ4.5 |       |
| Q23DX-L1.2T |    |                |    |                | 55  | 18             |    | 12   | Φ8.5 |        | M5    |
| Q22DX-1.2   | 28 | 22             | 22 | 16             | 51  | 14             | 47 |      |      | 2-Φ4.5 |       |
| Q22DX-L1.2T |    |                |    |                | 55  | 18             |    | 12   | Φ8.5 |        | M5    |
| Q23DX-2     | 42 | 32             | 28 | 21             | 69  | 18             | 51 |      |      | 4-Φ4.5 |       |
| Q23DX-L2    |    |                |    |                | 76  | 25             |    | 16   | Φ14  |        | M10×1 |
| Q23DX-2T    | 42 | 32             | 28 | 21             | 92  | 15             | 51 |      |      | 4-Φ4.5 |       |
| Q23DX-L2T   |    |                |    |                | 102 | 25             |    | 16   | Φ14  |        | M10×1 |
| Q22DX-2     | 42 | 32             | 28 | 21             | 71  | 18             | 51 |      |      | 4-Φ4.5 |       |
| Q22DX-L2    |    |                |    |                | 78  | 25             |    | 16   | Φ14  |        | M10×1 |

